



US00D401951S

United States Patent [19]
Spielberg et al.

[11] **Patent Number: Des. 401,951**
[45] **Date of Patent: **Dec. 1, 1998**

[54] **DOLLY TRACK SWITCH**
[75] Inventors: **Steven Spielberg**, Los Angeles; **Peter McKie**, Santa Monica, both of Calif.
[73] Assignee: **Amblin' Entertainment, Inc.**, Los Angeles, Calif.
[**] Term: **14 Years**

4,094,252 6/1978 Peter et al. 104/130.01
4,699,484 10/1987 Howell et al. 352/243
4,919,055 4/1990 Hora 104/130.01

Primary Examiner—Brian N. Vinson
Attorney, Agent, or Firm—Blakely Sokoloff Taylor & Zafman

[21] Appl. No.: **75,463**
[22] Filed: **Aug. 21, 1997**
[51] **LOC (6) Cl.** **16-06**
[52] **U.S. Cl.** **D16/130; D34/28**
[58] **Field of Search** **D16/237, 242, D16/130; D34/28; D12/50; 104/35, 130.01; 248/349.1; 352/243, 244**

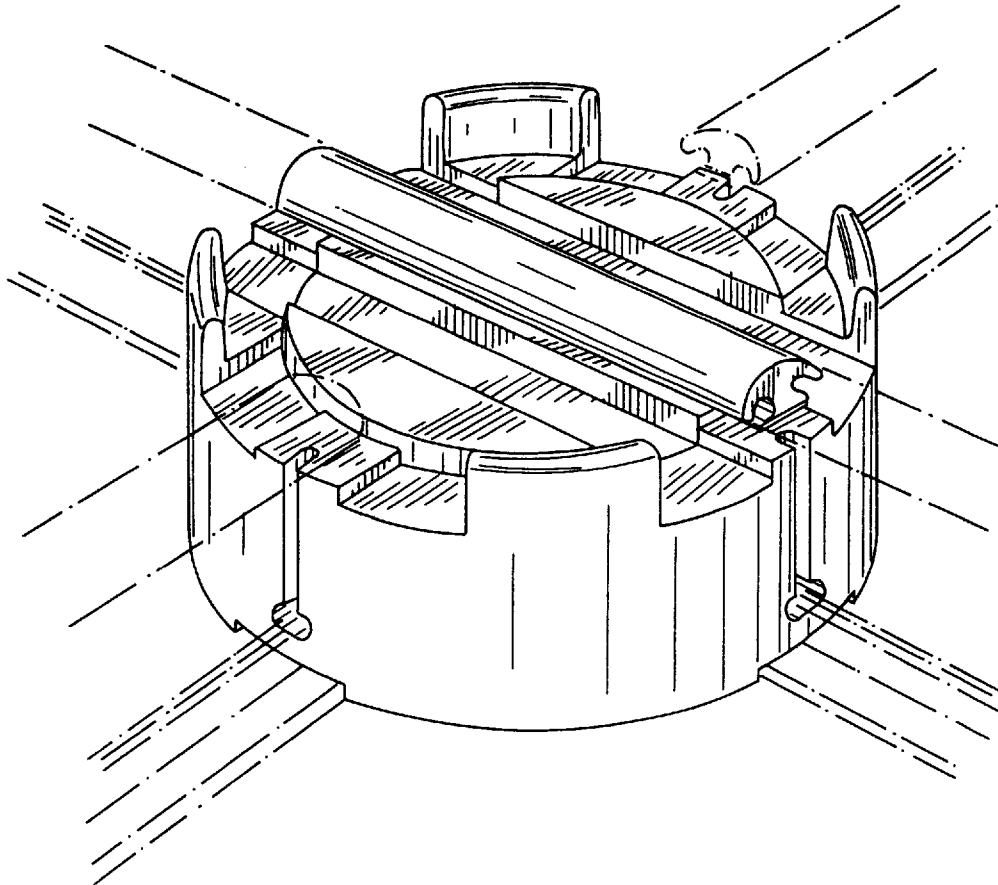
[57] **CLAIM**
The ornamental design for a dolly track switch, as shown and described.

DESCRIPTION

FIG. 1 is a top perspective view showing our track switch design in which tracks to be coupled to the track switch are shown in shadow line;
FIG. 2 is a top plan view thereof;
FIG. 3 is a side elevation view thereof, the opposite side being a mirror image thereof, and the side 90 degrees from the view shown in FIG. 3 being substantially identical excepting that the track portion at the top center is rotated 90 degrees; and,
FIG. 4 is a bottom plan view thereof.

[56] **References Cited**
U.S. PATENT DOCUMENTS
D. 361,587 8/1995 Chapman D16/242
1,463,706 7/1923 Ketchum 248/349.1
3,695,182 10/1972 Ernst 104/35

1 Claim, 2 Drawing Sheets



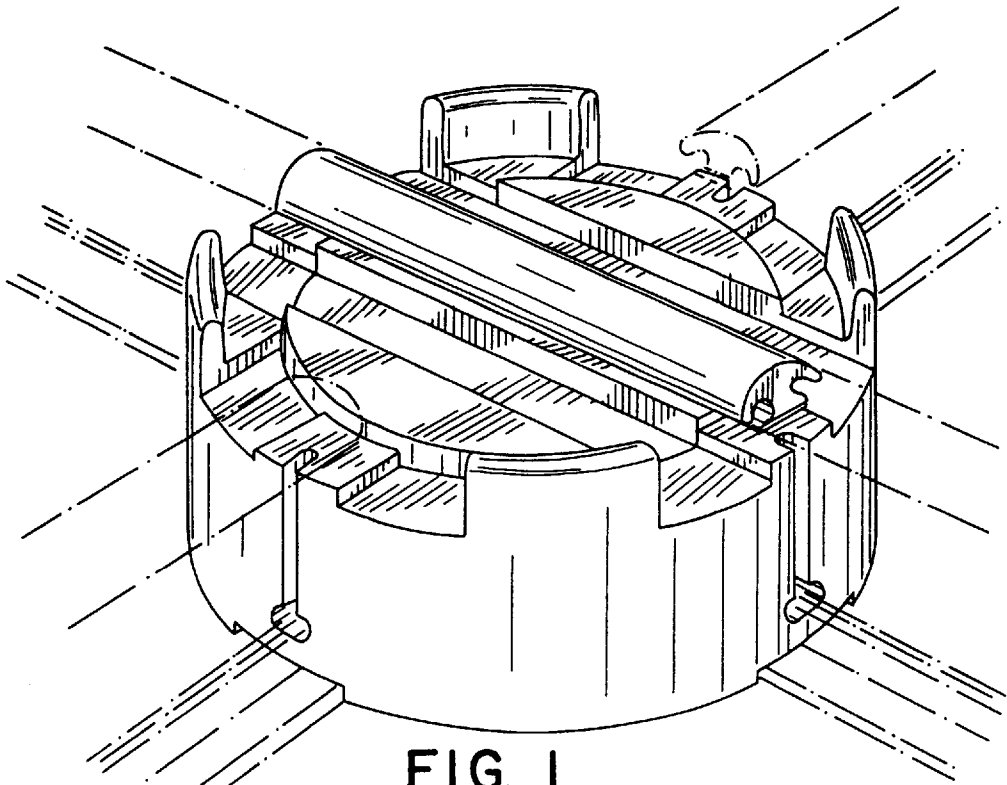


FIG. 1

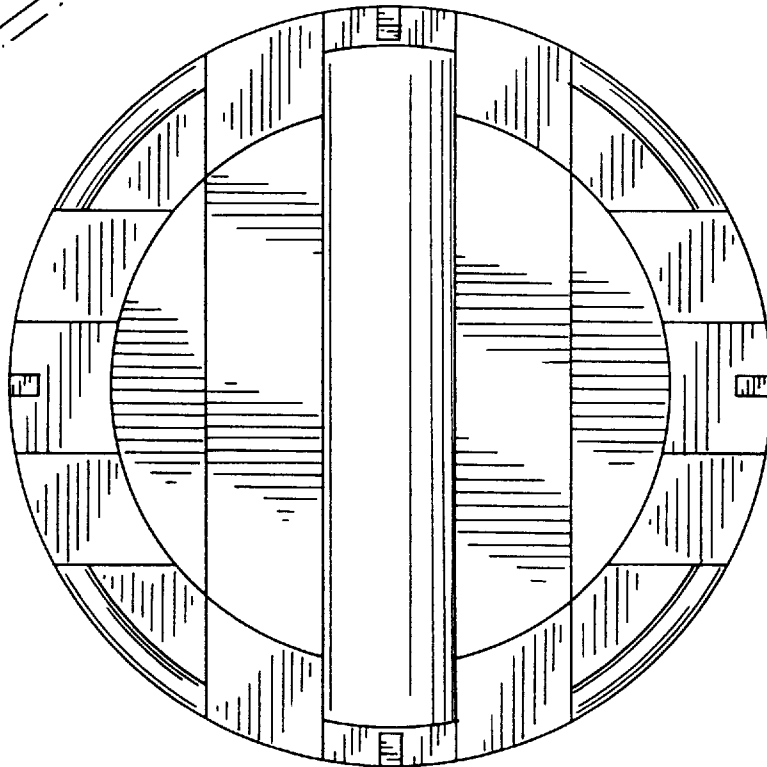


FIG. 2

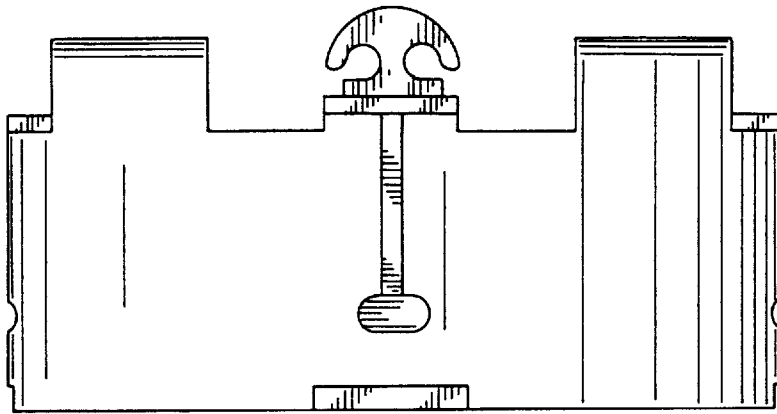


FIG. 3

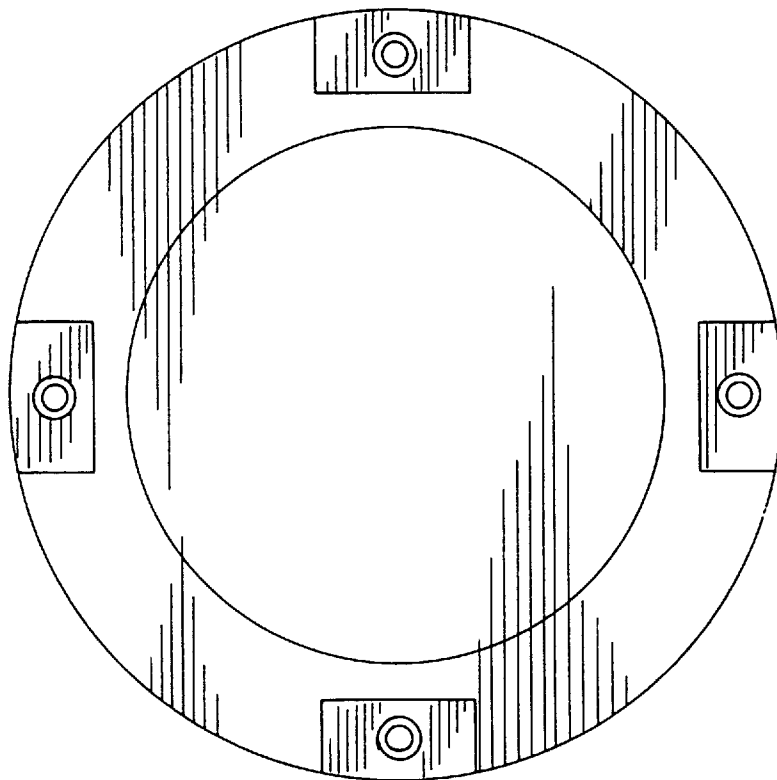


FIG. 4