

219,690

COMBINED SHELTER AND VEHICLE

James O. Matzenauer, Woodland Hills, Calif., assignor to
North American Rockwell Corporation

Filed Jan. 2, 1969, Ser. No. 15,233

Term of patent 14 years

Int. Cl. D12—07

U.S. Cl. D71—1

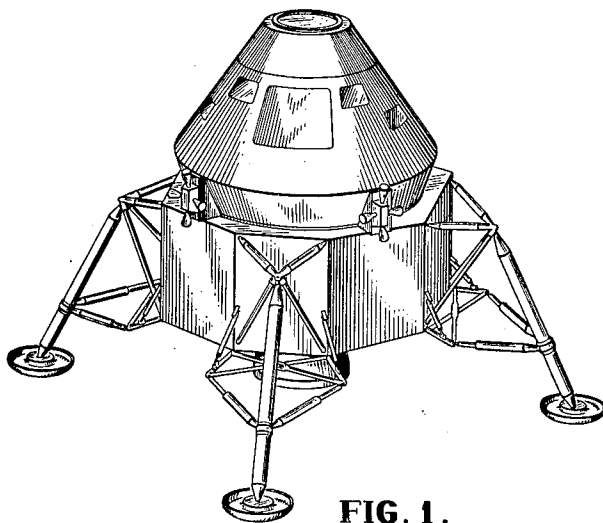


FIG. 1.

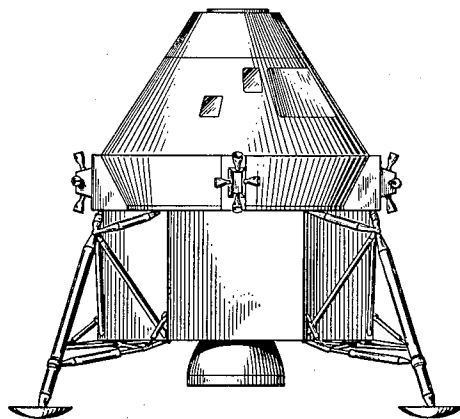


FIG. 2.

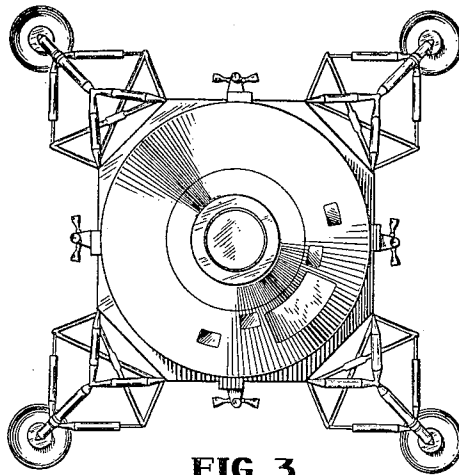


FIG. 3.

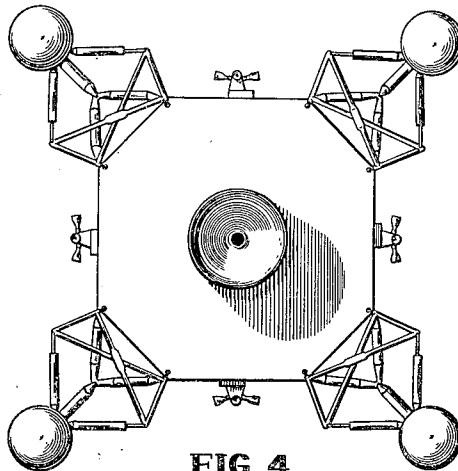


FIG. 4.

FIG. 1 is a perspective view of a combined shelter and vehicle showing my new design;

FIG. 2 is a side elevational view thereof;

FIG. 3 is a top plan view; and

FIG. 4 is a bottom plan view thereof.

I claim:

The ornamental design for a combined shelter and vehicle, as shown.

References Cited

UNITED STATES PATENTS

3,175,789 3/1965 Blumrich 244—100

OTHER REFERENCES

The 1968 Aerospace Yearbook, Aerospace Industries Association of America, Inc., rec'd Sept. 19, 1968, p. R-158, Lunar Module at top left of page.

WALLACE R. BURKE, Primary Examiner

A. P. DOUGLAS, Assistant Examiner